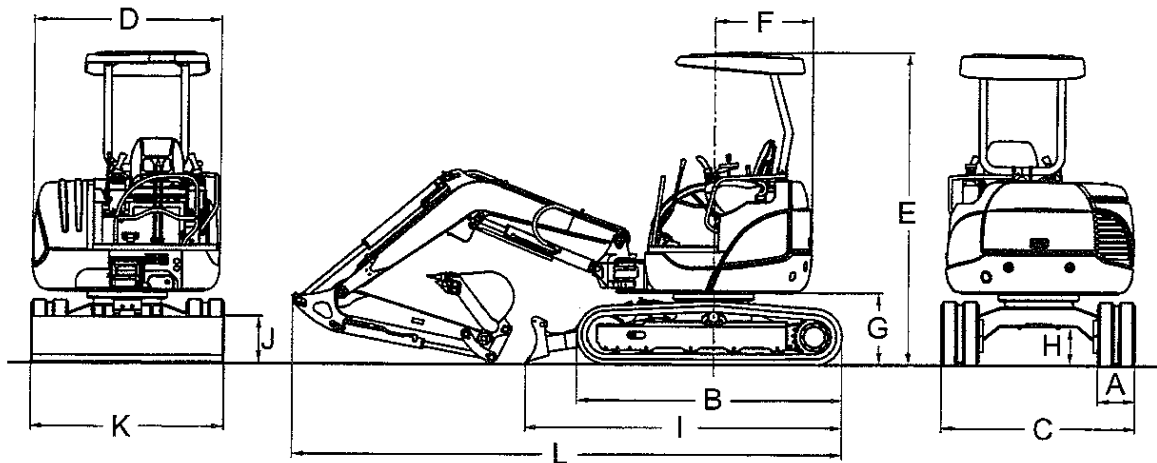
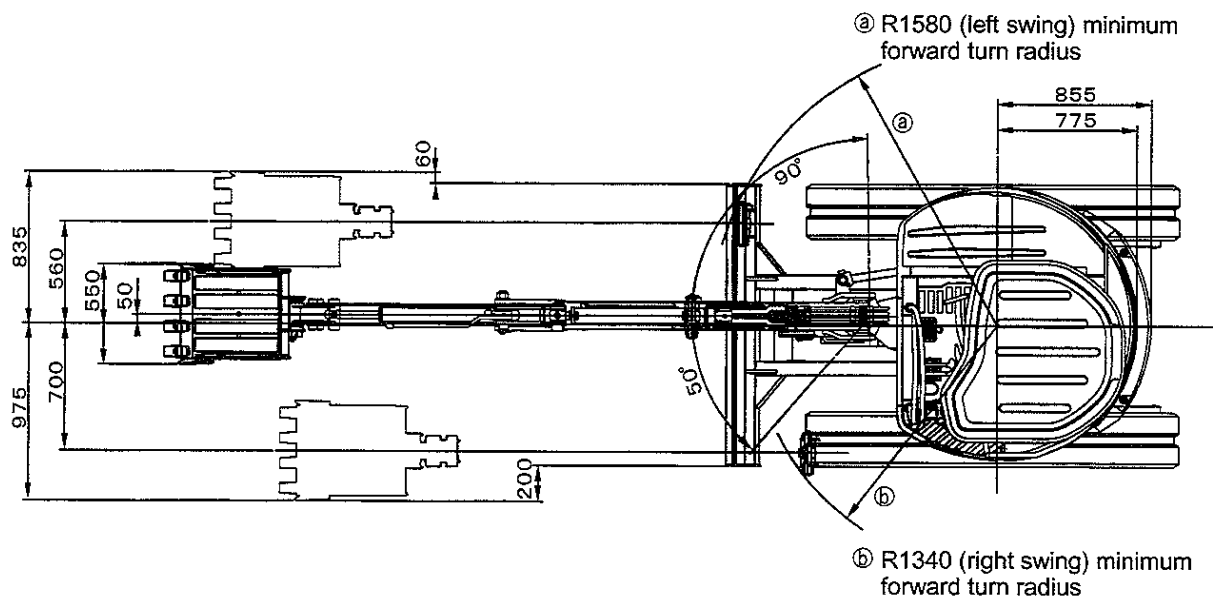


■ Body external dimensions



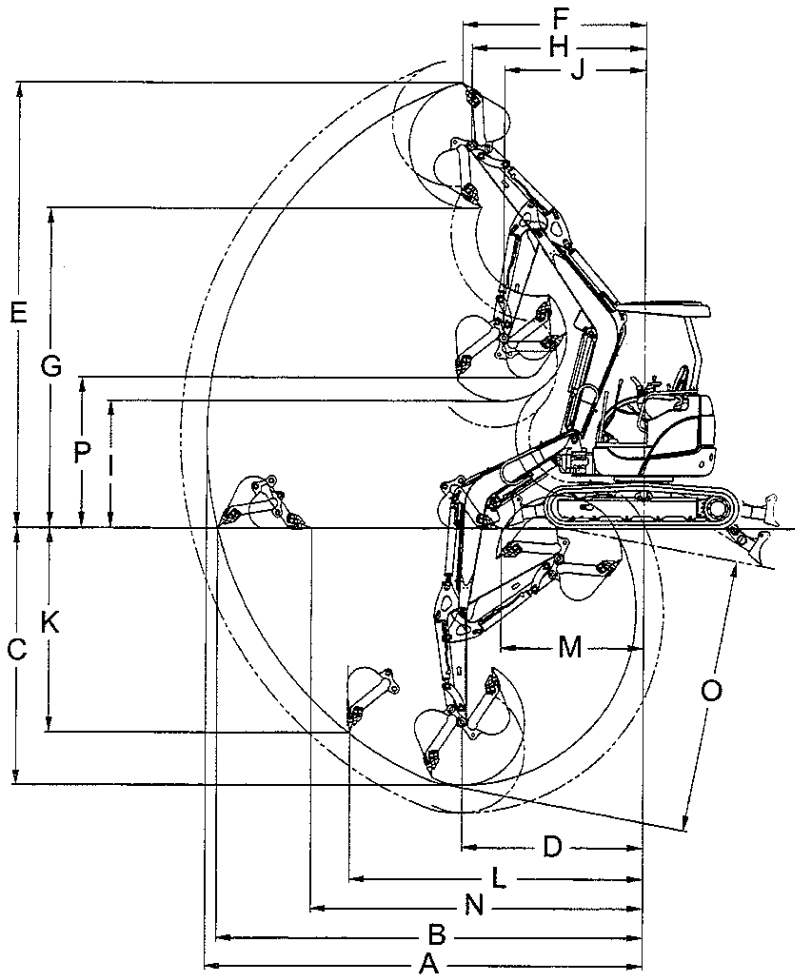
Unit: mm

Class	Code	Item	Rubber shoe	Steel shoe	
Body external dimensions	A	Crawler shoe width	300	300	
	B	Crawler total length	2100	2085	
	C	Crawler total width	1550	1550	
	D	Total width	Canopy	1500	1500
			Steel cab	1500	1500
	E	Total height	Canopy	2470	2470
			Steel cab	2470	2470
	F	Rear end turn radius ( ): Add CWT type machine		775 (855)	775 (855)
	G	Turn body rear lower end height		570	570
	H	Minimum height from the ground		310	310
	I	Lower machine total length		2510	2500
	J	Blade height		380	380
K	Blade width		1550	1550	
L	Total length	Blade forward	4370	4370	
		Blade backward	4840	4840	



■ Backhoe work range

**CAUTION**  
 The deep dig work on the blade side may cause interference between the boom cylinder and blade.



Unit: mm

Code	Name	Standard arm	Long arm
	Standard attached bucket capacity (m3) new JIS stack type	0.09	0.07
A	Maximum digging radius	4795	5080
B	Maximum floor level digging radius	4670	4965
C	Maximum digging depth (without blade)	2790	3090
D	Radius against maximum digging depth	1960	1960
E	Maximum digging height	4830	5065
F	Radius against maximum digging height	1990	2180
G	Maximum dump height	3470	3705
H	Radius against maximum dump height	1885	2070
I	Minimum dump height	1380	1100
J	Radius against minimum dump height	1525	1620
K	Maximum vertical digging depth	2215	2490
L	Radius against maximum vertical digging depth	3195	2305
M	Minimum floor level digging radius	1540	1380
N	Minimum floor level digging distance	3630	3920
O	Maximum digging depth for use of read soil-preventive plate	2975	3275
P	Minimum dump height against bucket in horizontal state	1635	1350